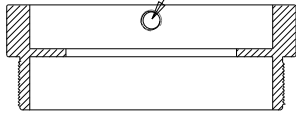
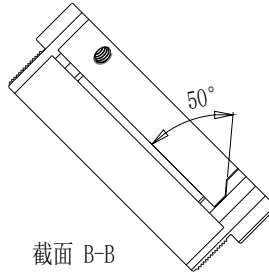


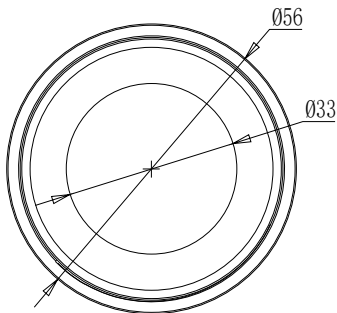
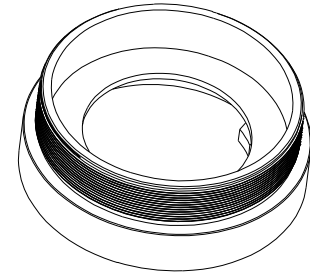
利用2mm扳手紧固位置



截面 A-A



截面 B-B



DRAWING PROJECTION Φ		 Optics Experiment and Basic Teaching	
DATE	29/07/24		
TASM2			
www.Oeabt.com		MATERIAL #	REV
COPYRIGHT ©2024 BY Oeabt			A
VALUE IN PARENTHESIS ARE CALCULATED AND MAY CONTAIN ROUND OFF ERRORS			APPROX WEIGHT kg