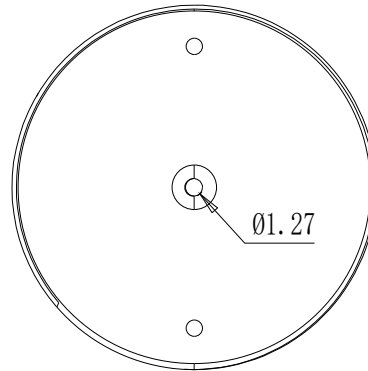
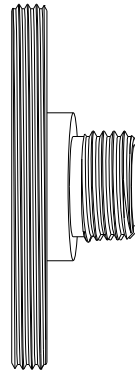
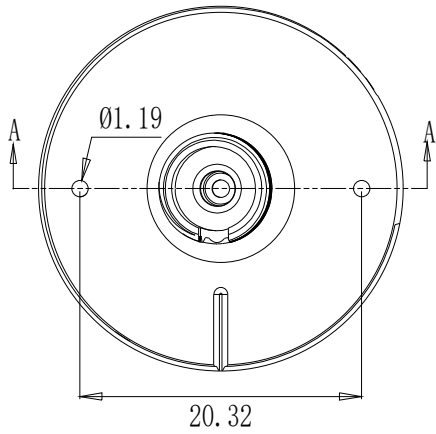
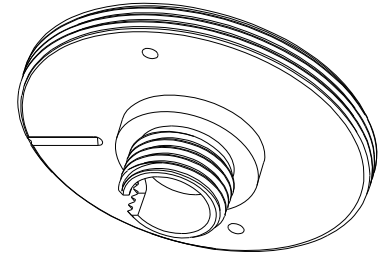

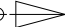


截面 A-A



| | | | |
|---------------------------------------------------------------------------------------------------------|------------|-------------------------------------------------------------------------------------------------------------------------------------|-----|
| DRAWING | |  Optics Experiment and Basic Teaching | |
| PROJECTION Φ  | | | |
| DATE | 13/08/24 | FAPC2-SM1 | |
| www.Oeabt.com | MATERIAL # | APPROX WEIGHT | REV |
| COPYRIGHT ©2024 BY Oeabt | | | A |
| VALUE IN PARENTHESIS ARE CALCULATED AND MAY CONTAIN ROUND OFF ERRORS | | | kg |