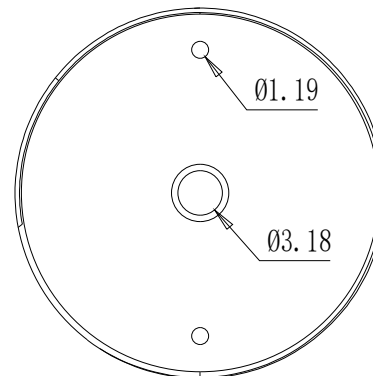
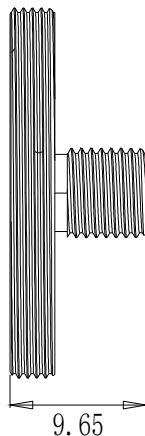
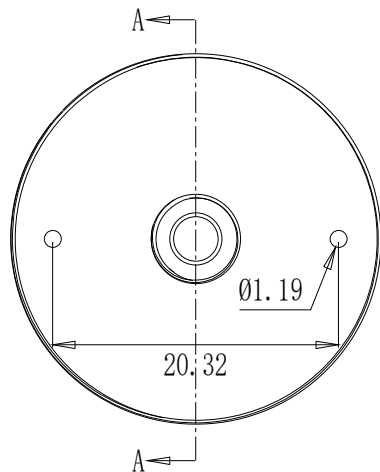
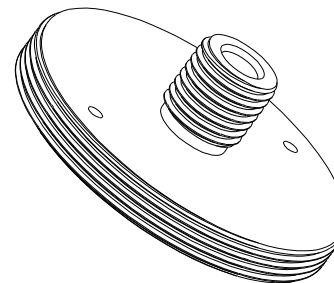



截面 A-A



DRAWING		 <b>Optics Experiment and Basic Teaching</b>	
PROJECTION $\Phi$			
DATE	13/08/24	FSMA-SM1	
www.Oeabt.com		MATERIAL #	REV
COPYRIGHT ©2024 BY Oeabt			A
VALUE IN PARENTHESIS ARE CALCULATED AND MAY CONTAIN ROUND OFF ERRORS			APPROX WEIGHT kg