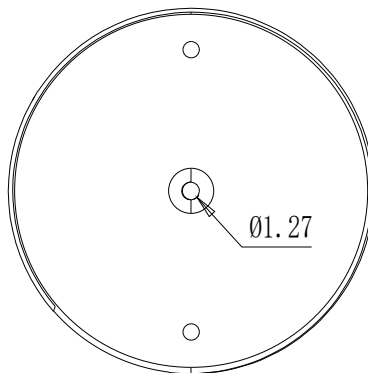
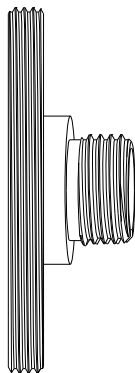
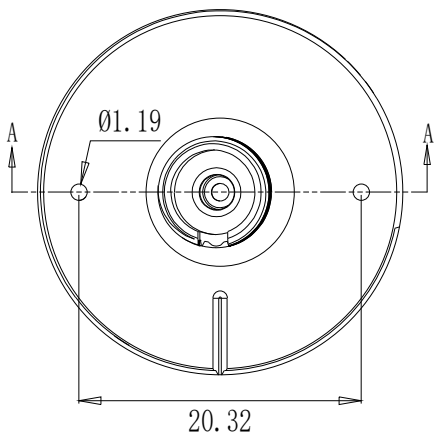
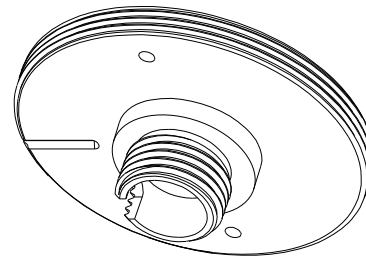




截面 A-A



DRAWING		 Oeabt Optics Experiment and Basic Teaching	
PROJECTION Φ 			
DATE	13/08/24	FAPC2.2-SM1	
www.Oeabt.com		MATERIAL #	REV
COPYRIGHT ©2024 BY Oeabt			A
VALUE IN PARENTHESIS ARE CALCULATED AND MAY CONTAIN ROUND OFF ERRORS			APPROX WEIGHT kg