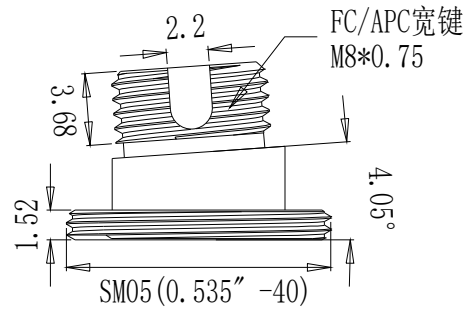
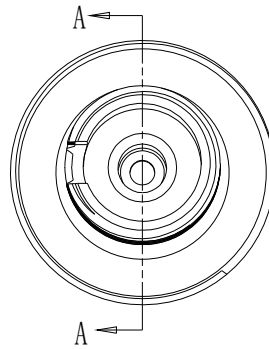


截面 A-A



DRAWING			
PROJECTION Φ			
DATE	13/08/24	FAPC2.2-SM05	
www.Oeabt.com		MATERIAL #	REV
COPYRIGHT ©2024 BY Oeabt			A
VALUSE IN PARENTHESIS ARE CALCULATED AND MAY CONTAIN ROUND OFF ERRORS		APPROX WEIGHT	kg