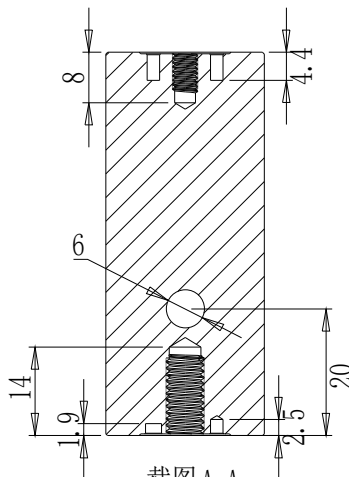
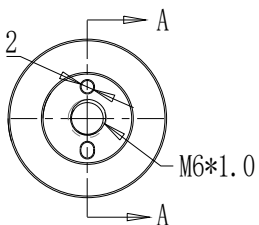


*除CR24.6-IV外,
其它型号均为贯穿孔



截图 A-A

型号	L0
CR24.6-IV	24.6
CR37.3-IV	37.3
CR49.6-IV	49.6
CR60.5-IV	60.5
CR74.6-IV	74.6
CR99.6-IV	99.6



DRAWING PROJECTION Φ			
DATE	18/04/24		
CR-IV系列			
www.Oeabt.com	MATERIAL #		REV
COPYRIGHT ©2024 BY Oeabt			A
VALUE IN PARENTHESIS ARE CALCULATED AND MAY CONTAIN ROUND OFF ERRORS		APPROX WEIGHT	kg