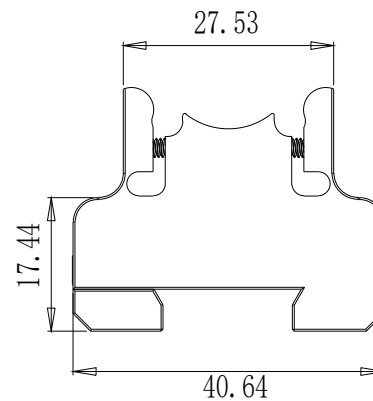

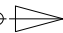


利用1.5mm
扳手拧固

利用2mm
扳手拧固



| | | | |
|---|------------|---|-----|
| DRAWING | |  Optics Experiment and Basic Teaching | |
| PROJECTION  | | | |
| DATE | 12/13/24 | LPA16-B | |
| www.Oeabt.com | MATERIAL # | | REV |
| COPYRIGHT ©2024 BY Oeabt | | | A |
| VALUSE IN PARENTHESIS ARE CALCULATED AND MAY CONTAIN ROUND OFF ERRORS | | APPROX WEIGHT | kg |