

4-Ø6.02

30

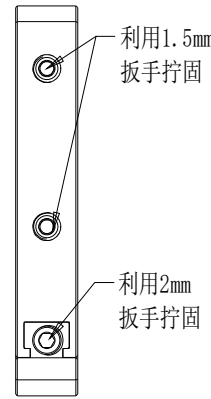
30

30

SM1 (1.035"-40)

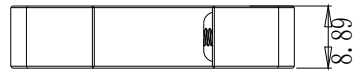
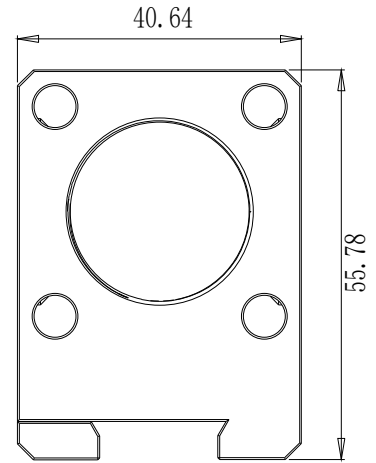
5.51

Ø



利用1.5mm  
扳手拧固

利用2mm  
扳手拧固



8.89

DRAWING PROJECTION		 <b>Optics Experiment and Basic Teaching</b>	
DATE	12/13/24		
LPA30-A			
www.Oeabt.com	MATERIAL #		REV
COPYRIGHT ©2024 BY Oeabt			A
VALUE IN PARENTHESIS ARE CALCULATED AND MAY CONTAIN ROUND OFF ERRORS		APPROX WEIGHT	kg